



BEVERAGE-AIR

Project: _____	AIA#
Item: _____	
Location: _____	SIS#
Approved: _____	

GF24HC BAR EQUIPMENT: GLASS AND PLATE FROSTER SERIES

GF BAR EQUIPMENT
GF24HC Glass and Plate Froster
Hydrocarbon Series

MODEL:
GF24HC-S



3 Year Parts/Labor Warranty
Additional 4 Year Compressor Warranty

CABINET CONSTRUCTION

- Stainless steel front, sides and door, (galvanized back and bottom)
- Interior construction utilizes galvanized steel
- Top includes easy glide, stainless steel lids (1) and stainless steel counter top with edge
- Top loading
- Two (2) adjustable wire dividers
- Two (2) shelf ledges with three (3) mounting points
- Flexibility in design provides for plate storage and chilling
- Automatic defrost of coil is standard
- Built-in condensate evaporator system
- No floor drain or additional plumbing is needed

OPTIONS & ACCESSORIES

- Stainless steel interior
- Locks
- Remote option*
(refrigerant must be specified at time of order, see note on back on page)

REFRIGERATION SYSTEM

- Uses environmentally friendly, energy efficient R290 refrigerant, and meets all regulatory requirements for CARB, SNAP, DOE & more
- Adaptive defrost
- Epoxy coated evaporator coil
- Chills glasses and plates at 0°F and below (factory setpoint is 0°F)




 Please verify qualifying units by visiting:
www.energystar.gov/cfs

3779 Champion Blvd., Winston-Salem, NC 27105
 1-888-845-9800 Fax: 1-336-245-6453
 Beverage-Air.com Sales@bevair.com



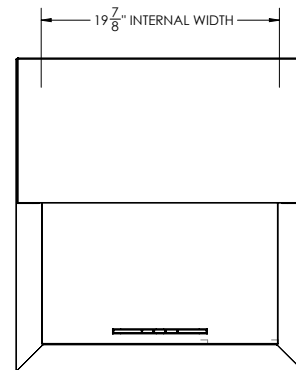
BEVERAGE-AIR

MODEL	GF24HC-S
EXTERNAL DIMENSIONAL DATA	
Width Overall	24"
Depth Overall	26 1/8"
Height Overall	33 5/8"
Number of Lids	1
INTERNAL DIMENSIONAL DATA	
NET Capacity (cubic ft.)	4.0
Internal Width Overall (in)	19 7/8"
Internal Max Depth Overall (in)	22"
Internal Height Overall (in)	18 1/4"
Number of Dividers	2
12 oz. Mugs Chilling Capacity	76
8" Plate Chilling Capacity	100
ELECTRICAL DATA	
Full Load Amperes	3.5
REFRIGERATION DATA	
Horsepower	1/2
Capacity (BTU/Hr)	1624
Heat Rejection (BTU/Hr)	2436
Charge (lbs/grams)	0.1323/60
SHIPPING DATA	
Gross Weight - Crated	186 lbs
Height - Crated	38"
Width - Crated	27"
Depth - Crated	30"

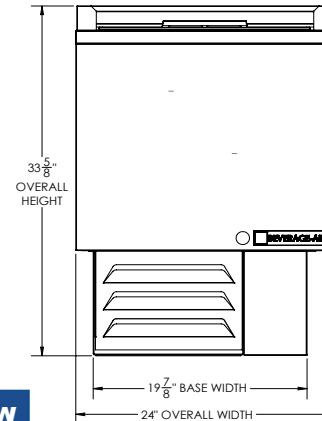
*NOTE: Remote units are field wired and come with 6" legs.
Refrigerant must be specified at time of order.

Bar Equipment - Glass Froster Model: GF24HC-S

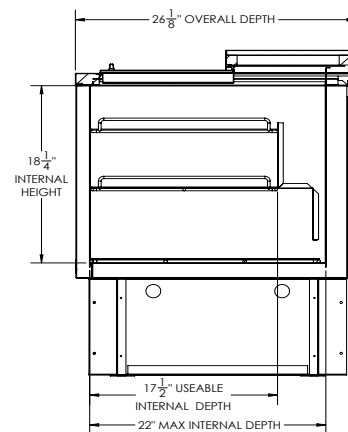
Model Views



PLAN VIEW



ELEVATION VIEW



SIDE VIEW

ELECTRICAL CONNECTION



115/60/1
NEMA 5-15P

Unit pre-wired at factory and include 8' long cord and plug set.



3779 Champion Blvd., Winston-Salem, NC 27105 1-888-845-9800 Fax: 1-336-245-6453 Beverage-Air.com Sales@bevoir.com

an Ali Group Company



The Spirit of Excellence